




Acme Sanitary Ware Co. Ltd.


1/F, Acme Building, 22-28 Nanking Street, Kowloon, Hong Kong
 Tel: 2388 7171 Fax: 2710 8012
 Email: acme@acmesanitary.com.hk
 Website: www.acmesanitary.com.hk

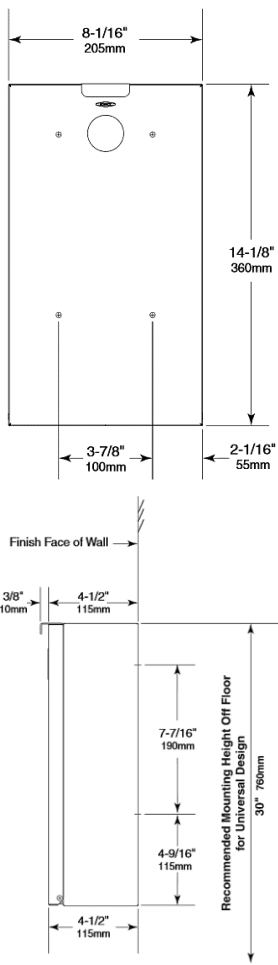
PROJECT		REF		REV	ITEM CODE	
LOCATION		DATE			PAGE	

SANITARY WARE SPECIFICATION SHEET

Item Descriptions	Bobrick (USA) Stainless steel surface-mounted sanitary napkin disposal in satin finish
Dimensions	L205 x W125 x H360 mm
Model	B-35139
Material/ Finish	Stainless Steel / Satin Finish
Manufacturer	Bobrick Washroom Equipment Inc. (USA)
Supplier	Acme Sanitary Ware Co. Ltd Mr. Eric Wong/ Mr. Don Yuen
Contact Tel/Fax	(852) 2388-7171 / (852) 2710-8012
E-mail	acme@acmesanitary.com.hk
Website	www.acmesanitary.com.hk







Technical drawing details:
 - Top width: 8-1/16" (205mm)
 - Total height: 14-1/8" (360mm)
 - Mounting hole offset from left: 3-7/8" (100mm)
 - Mounting hole offset from right: 2-1/16" (55mm)
 - Wall thickness: 3/8" (10mm)
 - Mounting hole diameter: 4-1/2" (115mm)
 - Distance from top to first hole: 7-7/16" (190mm)
 - Distance between holes: 4-9/16" (115mm)
 - Distance from bottom to second hole: 4-1/2" (115mm)
 - Recommended mounting height off floor for universal design: 30" (760mm)

MATERIALS:
Cabinet — 18-8, Type-304, heavy-gauge stainless steel. All-welded construction. Exposed surfaces have satin-finish.
Skirt — 18-8, Type-304, stainless steel with satin-finish.
Door — 18-8, Type-304, 20-gauge (0.9mm) stainless steel with satin-finish. Secured to cabinet with two rivets and equipped with a magnet catch.
Waste Receptacle — 18-8, Type-304, heavy-gauge stainless steel. All-welded construction. Removable for servicing. Capacity: 0.6-gal. (2.3-L).

OPERATION: To service waste receptacle, unlatch door and remove waste container. Cable door-swing limiter prevents damage to washroom accessories and walls.

INSTALLATION: For partitions with particleboard or other solid core, secure with four #10 x 5/8" (4.8 x 16mm) sheet-metal screws (not furnished) at points indicated by an S, or provide through-bolts, nuts, and washers. For hollow-core metal partitions, provide solid backing into which sheet-metal screws can be secured. If two units are installed back-to-back, then provide threaded sleeves and machine screws for the full thickness of partition. For plaster or dry wall construction, provide concealed backing to comply with local building codes, then secure unit with sheet-metal screws. For other wall surfaces, provide fiber plugs or expansion shields for use with sheet-metal screws, or provide 3/16" (5mm) toggle bolts or expansion bolts.

Replacement Parts:

Skirt Replacement Kit	35139-53
Waste Receptacle Replacement	35139-78
International Label	3533-44

SPECIFICATION: Surface-mounted sanitary napkin disposal shall be Type-304 stainless steel with all-welded construction; exposed surfaces shall have satin finish. Door shall be Type-304, 20-gauge (0.9mm) stainless steel with satin-finish. Secured to cabinet with two rivets and equipped with a magnet catch and cable door-swing limiter. Waste receptacle shall be Type-304, heavy-gauge stainless steel. All-welded construction with a capacity of 0.6-gal. (2.3-L).

Note:

* All information of the above is for the reference only. No prior notice is made if any changes.